

17569 $\Phi 175 \times 69 \text{MM}$

General Specifications

- ◆ Material..... Frame: Plastic (UL94V-0)
Impeller: Plastic (UL94V-0)
Lead Wire: UL1007AWG#24 or Equivalent (+) Red, (-) Black
- ◆ Expected Life..... Ball Bearing 50,000hrs (40°C)
- ◆ Temperature Range.... Operating temperature -10°C~70°C (Non-condensing)
Storage temperature -40°C~70°C (Non-condensing)
- ◆ Safety Standards..... UL, TUV, RoHS, CE
- ◆ DC Fan Specials..... RD, FG, PWM, Temperature control, IP56

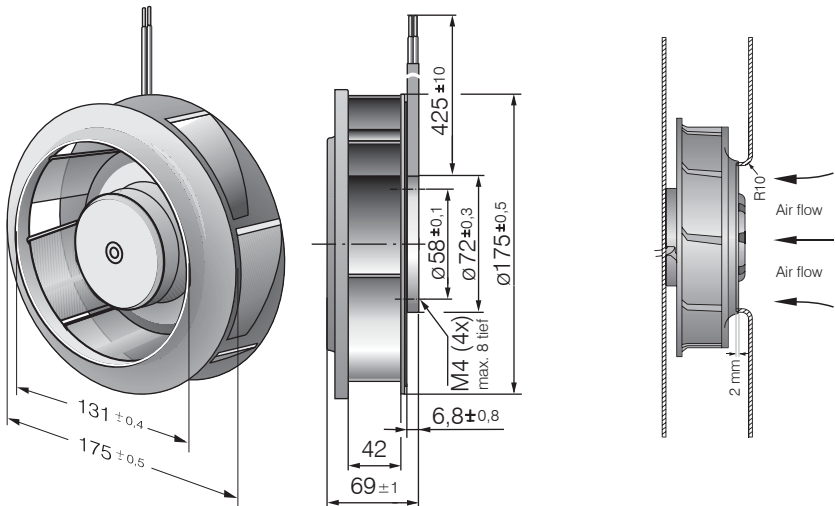


Specifications

Model	#Bearing Type	Rated Voltage	Operating Voltage	Input Current	Input Power	Speed	Max Air Flow		Max Static Pressure		Noise	Weight
Part No.	B.S	VDC	VDC	Amp	Watt	RPM	CFM	m ³ /min	Inch-H ₂ O	Pa	dB-A	g
DB17569B24H	B	24	14.0~27.6	2.00	48.00	3000	222.31	6.30	0.86	215.26	64.0	289.0
DB17569B24M	B	24	14.0~27.6	1.00	24.00	2500	193.50	5.48	0.67	167.69	60.0	289.0
DB17569B44L	B	24	14.0~27.6	0.70	16.80	2000	173.33	4.91	0.54	134.35	55.0	289.0
DB17569B48L	B	48	28.0~56.0	0.50	12.00	3000	330.00	4.13	0.39	97.77	50.0	289.0
DB17569B48L	B	48	28.0~56.0	1.00	48.00	2500	222.31	6.30	0.86	215.26	64.0	289.0
DB17569B48L	B	48	28.0~56.0	0.60	28.80	2000	193.50	5.48	0.67	167.69	60.0	289.0

Specifications are subject to change without notice. Please visit our website at <http://www.szhxht.com> for update information

Dimensions (Unit:mm)



PQ Curve (At rated Voltage)

